

B.F. Joslyn

Breach Loading Firearm

No. 13,507.

Patented Aug. 28, 1855.

Fig. 2.

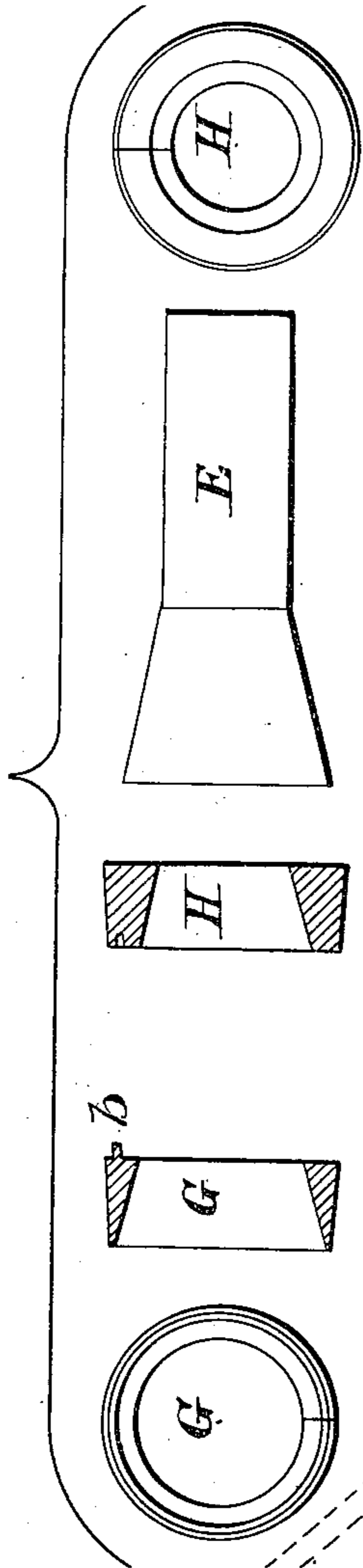
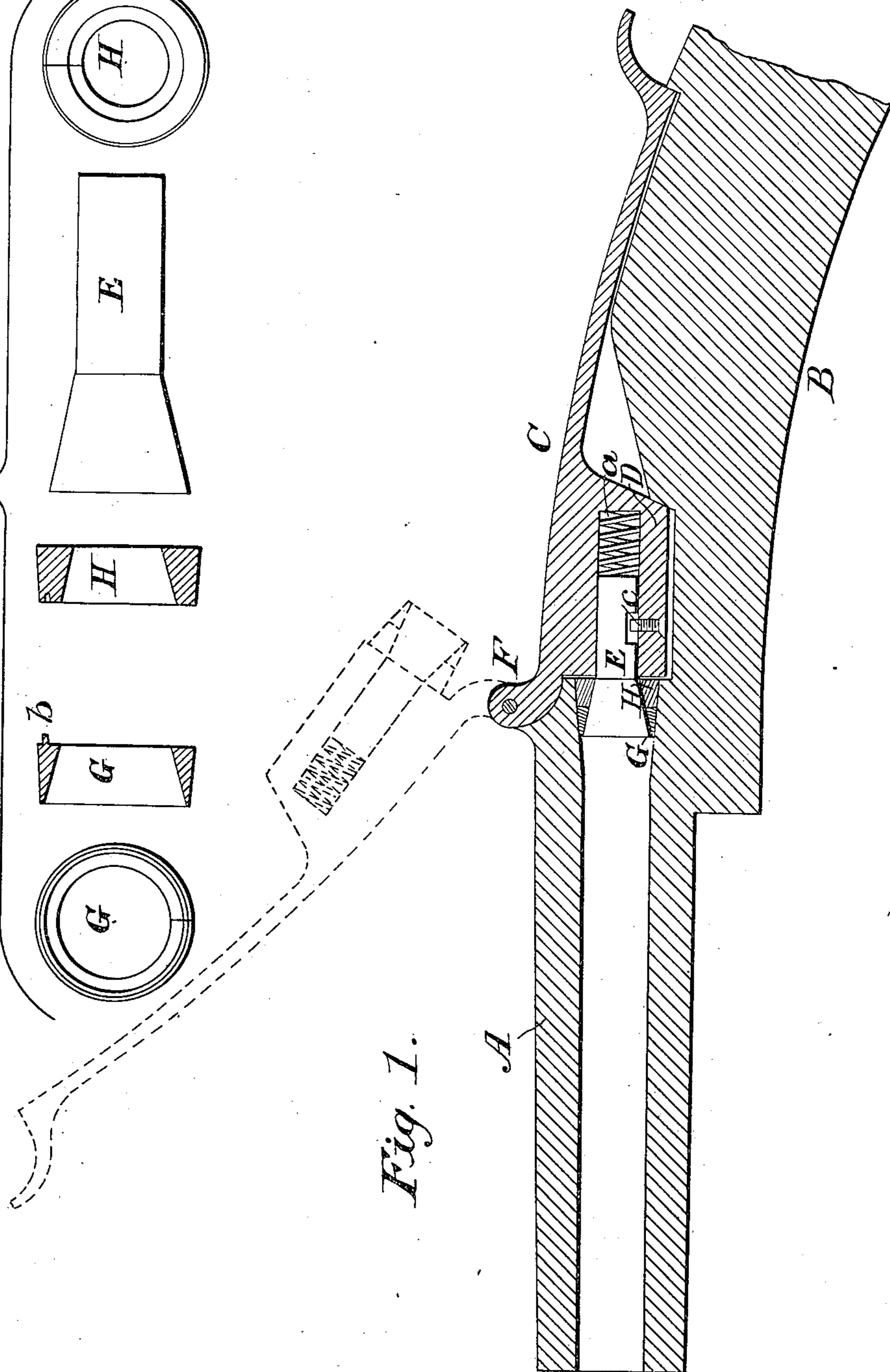


Fig. 1.



Witnesses:
Henry Howson
William & Walton

Inventor.
Beng F. Joslyn

UNITED STATES PATENT OFFICE.

B. F. JOSLYN, OF WORCESTER, MASSACHUSETTS.

IMPROVEMENT IN BREECH-LOADING FIRE-ARMS.

Specification forming part of Letters Patent No. 13,507, dated August 28, 1855.

To all whom it may concern:

Be it known that I, BENJAMIN F. JOSLYN, of the city of Worcester, county of Worcester, and State of Massachusetts, have invented certain new and useful Improvements in Breech-Loading Fire-Arms; and I do hereby declare that the following is a full, clear, and exact description of the same, reference being had to the accompanying drawings, which form a part of this specification, in which—

Figure 1 is a sectional view of sufficient of a fire-arm to show my improvements, and in Fig. 2 are several detached views of the pin and expanding rings.

This invention relates to fire-arms which are loaded at the breech; and it consists in furnishing the radial or hinged breech with a pin which is allowed to have a longitudinal movement against a spring in the said breech, but is prevented from turning therein. This pin has a conical head embraced by metallic expanding rings, which, when the radial breech is down and the cartridge inserted, penetrate a slight distance into and fit against the interior of the barrel, the cartridge bearing directly against the end of the pin, so that when the powder is ignited the sudden expansion of gas drives the pin toward the interior of the radial breech, the cone end at the same time causing the rings to expand and fit tight to the interior of the barrel, thus rendering the latter air and gas tight at the breech, and causing the explosive force to be more efficient.

To enable others skilled in the art to make and use my invention, I will now proceed to describe its construction and operation.

A is the barrel of the fire-arm; B, a portion of the stock; c, the radial breech connected to the barrel by the joint F. The projecting part D of the breech fits (when down) at one end against the inclined inside of the stock, the other end bearing against the end of the barrel.

Within the piece D, and central with the bore of the barrel, is the pin E, one end of which bears against the spiral spring a, the tapered end projecting a short distance into the barrel. The rings G and H are turned on

the outside edges, so as to fit the interior of the end of the barrel, the inside being cone-shaped and fitting accurately the head of the pin E. These rings are cut across in one place, as seen in Fig. 2, so as to allow them to expand and contract after the manner of metallic rings in the pistons of steam-engines, the small pin or dowel b maintaining them in such a position with each other that the cut or opening of one ring does not coincide with that of the other. A small pin, screwed into the lower part of the projection D, fits with its point into the slot in the pin E, so as to prevent the latter from turning, at the same time allowing it a slight longitudinal movement. The radial breech C' with its pin and rings being raised, as shown in red lines, the cartridge may be inserted into the end of the barrel, and the radial breech again brought down to the position shown in the drawing, when the fire-arm is ready to be discharged. The powder being ignited by any of the ordinary contrivances, the first instantaneous act of the expanded air and gas will be to drive the pin E toward the interior of the projection D on the breech C, and as the rings are prevented from moving backward by the end of the said projection, it necessarily follows that the coned head of the pin must cause the rings to expand, and consequently to fit tight to both the inside of the barrel and outside of the cone head of the pin, effectually preventing all escape of air or gas toward the breech, and causing the explosive force to be more intense than in ordinary breech-loading fire-arms. Immediately after the discharge the spiral spring a by its recoil causes the pin and expanding rings to assume their former position.

I claim—

The combining of the cone-headed pin E and two or more expanding rings, G and H, with the radial breech c, of breech-loading fire-arms, substantially in the manner and for the purpose specified.

BENJ. F. JOSLYN.

Witnesses:

HENRY HOWSON,
WILLIAM E. WALTON.